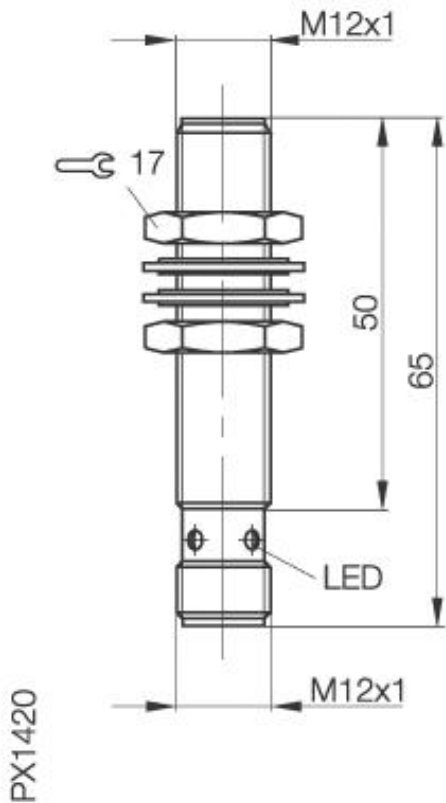


Inductive Sensors
BES M12MI-NSH80B-S04G
M12 x 65
normally-open
Sn=8mm
quasi shielded



Common Data

Product name	HyperProx
Mounting in steel	quasi shielded
Rated operating distance Sn	8mm
Assured operating distance Sa	0...5,8mm
Repeatability R	≤ 10%
Function indication	yes
Ambient temperature range	0...+60°C

Mechanical Data

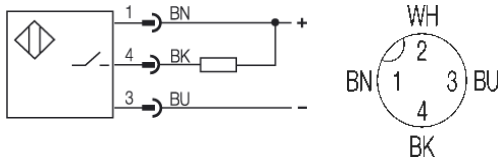
Measurements BxHxT or DxT	M12 x 65mm
Housing material	Nickel plated brass
Material of sensing face	LCP
Degree of protection	IP67IP
Connection	Connector S4 (M12)
Schock: Halbsinus, 30 gn, 11ms	
Vibration: 55 Hz, 1mm Amplitude, 3 x 30 Minutes	

Electrical Data

Current type	DC
Wiring	3-Wire
switching function	normally-open
Output signal	NPN
Rated operational voltage	24 DCV
Rated operational current	200mA
Supply voltage	10...55 DCV
max. switching frequency	300Hz
No-load supply current	≤ 10mA
Off-state current	≤ 10µA
Voltage drop	≤ 2.5V
Short circuit protection	yes
Protected against polarity reversal	yes

Remarks

Deviation from Sr ≤10% with x => 4mm for ferromagnetic materials and x=> 3mm for other metals



Utilization categories
 Insulation class

DC 13

Datasheet number:

Definitions see general catalog.
 If not otherwise noted, ratings according to IEC 60947-5-2 (DIN EN60947-5-2)

Balluff GmbH
 Schurwaldstrasse 9
 73765 Neuhausen a.d.F.
 Phone (07158) 173-0 Fax (07158) 5010

Datenblatt by CD-ROM - 04/2007

BALLUFF
 sensors worldwide